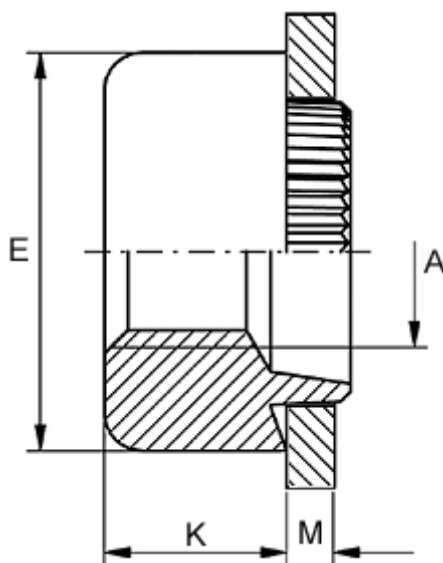


Article number: 12736000020120  
Description: KLEE-coil 736 000 020.120  
M2 Steel, zinc-pl. & chr. yellow

## Measures

---



Female thread A	= M2
Height K	= 2.0
Outer diameter E	= 5.0
Plate thickness	= 4.4 to 4.6
Recommended bore diameter +0.05	= 4.0